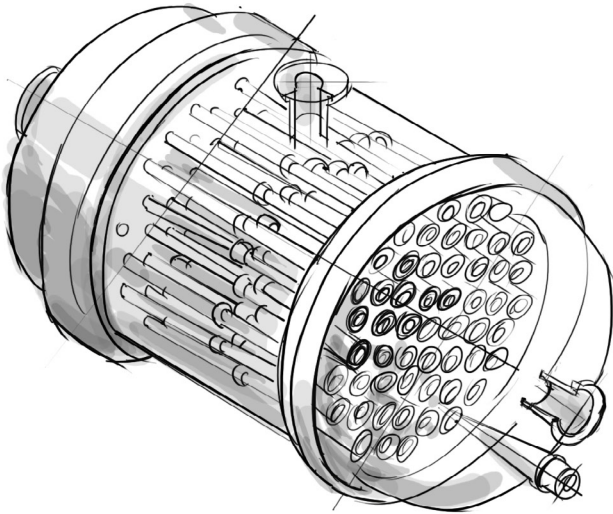




## CETCO PROCESS EQUIPMENT

# Deoiling Hydrocyclone Separators

### Primary Treatment



The Deoiling Hydrocyclone Separator series uses centrifugal motion that cause two liquids, which have different specific gravities such as oil and water, to separate in an efficient process. CETCO Process Equipment's hydrocyclones separate significantly more oil from water than conventional oil and water separation equipment, allowing our customers to operate under more stringent environmental standards and regulations.

CETCO Process Equipment packages its hydrocyclones in vessels or manifolds to specific engineering and manufacturing specifications. They are engineered and sized to cover a wide range of capacities and applications using standard designs to provide reliability, cost-effectiveness, service accessibility and shortened delivery time.

### Applications

- Oil water separation on platforms, petroleum refineries, industrial wastewaters and chemical plants
- Treats ship or terminal bilge and ballast water
- Oil removal from environmental remediation

### Features & Benefits

- High performance and reliability
- Lightweight with small footprint
- Packages available
- No moving parts and modular
- Completely skid mounted