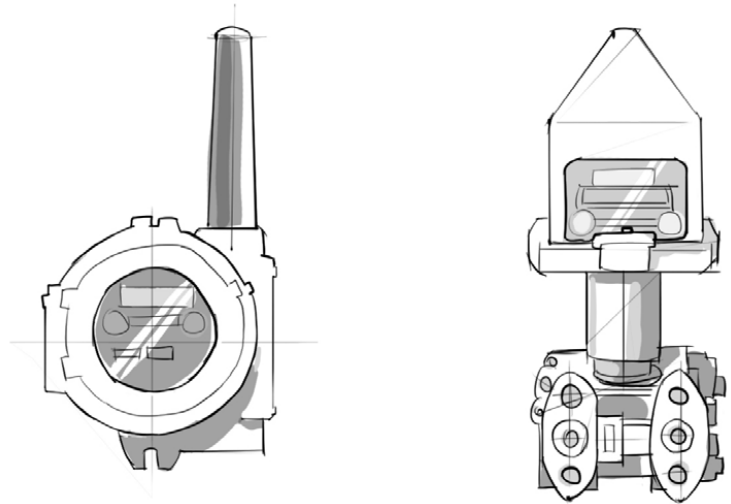




Well Testing

Wireless Data Acquisition



CETCO's Well Testing Data Acquisition Package couples various hardware and software to monitor, record and transmit data. The data package integrates with the Muddog DataLink™ online portal and mobile app which allows our customers to view real-time well data from your computer or mobile device.

All information may be collected at one central and secure acquisition machine by utilizing multiple interfaces, via wireless data transmission, hard-wired devices or manually-inputted data points. This provides the data technician with flexibility and customized tools to generate reports, data sets and graphs to meet client-specific formatting.

Application

Monitors, records and transmits operational data from the well site to computer or mobile device

Features & Benefits

- Incorporates software via Modbus protocol for reliable transmission
- Muddog DataLink™
- Wireless mobility for easy site transfers
- Field proven state-of-the-art technology
- Sensors meet harsh oil and gas environmental regulations
- Provides consistent accurate data
- Field units available to extend or coexist with current operations

Minimum Configurations

- Real-time data acquisition, recording and transmitting software
- Wireless pressure sensors
- Wireless temperature sensors
- Wireless turbine flow sensors
- Custody Grad Meter - Coriolis Meter
- Wireless differential sensors
- Wireless gas detection sensors
- Wireless tank level sensors

